

GTP

SERIES STAINLESS STEEL CENTRIFUGAL PUMP

MATERIALS:

Casing, back-cover, impeller and pump shaft: SUS304 or SUS316L stainless steel
 Bracket and motor housing: Aluminium-alloy
 Standard mechanical seal: NBR/ceramic/carbon (Other mechanical seal materials are available upon request.)

TECHNICAL DATA:

Pump
 Suction size: G1 1/4", G1 1/2"
 Discharge size: G1"
 Max. working Pressure: 8 bar
 Liquid temperature: -15°C ~ +80°C

APPLICATIONS:

Water supplying systems
 Pressure boiler feeding
 Pure water treating systems
 Pharmaceutical industries
 Washing and sprinkling

USE LIMITATION:

The pumps are suitable for transporting clean media which are non-aggressive to stainless steel SUS304 or SUS316L.

MOTOR:

T.E.F.C., continuous duty
 Insulation class: F
 Protection class: IP55
 Single phase version built-in thermal protector upon request.

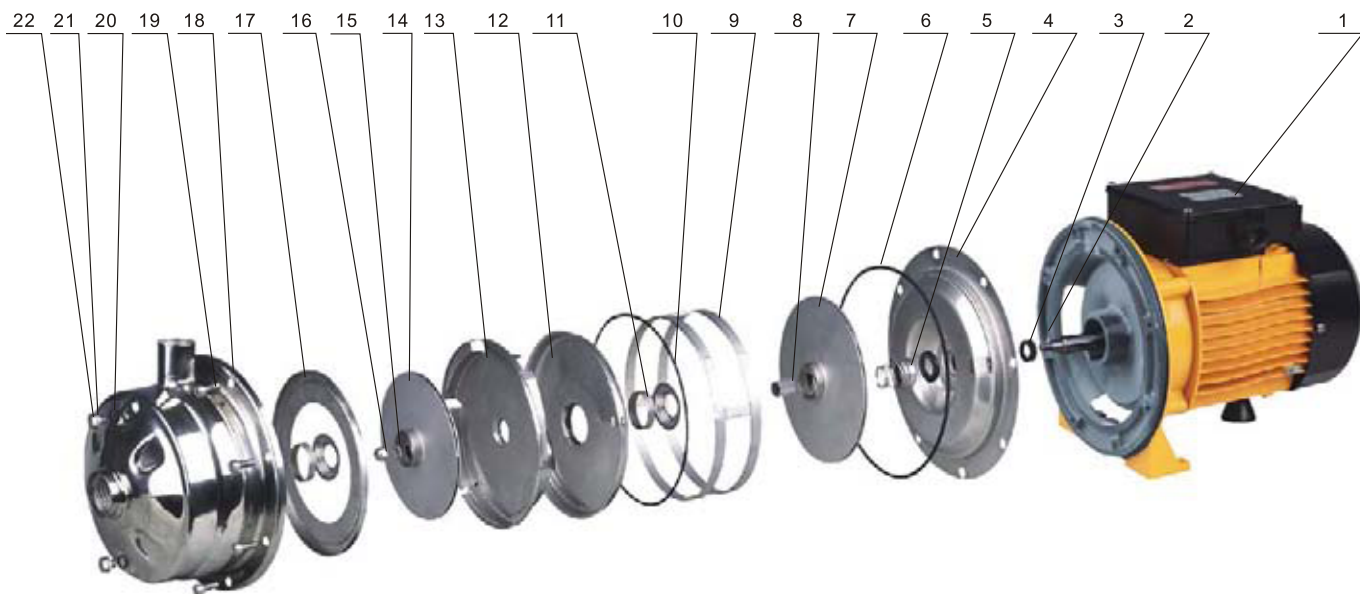


TECHNICAL DATA AT 50HZ

n=2800rpm

Single phase 220V/50HZ	Three phase 380V/50HZ	Power		Suction head	Q	L/min m³/h	20	40	60	80	100	120	140	160	180	200	220	240	260		
		KW	HP				H(m)	1.2	2.4	3.6	4.8	6.0	7.2	8.4	9.6	10.8	12	13.2	14.4	15.6	
2GTP 70/150D	2GTP 70/150	1.85	2.5	8	H(m)	54	52	50	47	43											
2GTP 70/185D	2GTP 70/185	2.2	3	8		61	58	56	52	48											
GTP 70/037D	GTP 70/037	0.37	0.5	8		16	15	13.5	13	11.5	10										
GTP 70/055D	GTP 70/055	0.55	0.75	8		19	18	17	16	15	14										
GTP 70/075D	GTP 70/075	0.75	1.0	8		25	24	22.5	22	20	19										
GTP 70/090D	GTP 70/090	0.90	1.2	8		29	28	27	26	24	23										
GTP 70/110D	GTP 70/110	1.10	1.5	8		33	32	31	30	28.5	27										
GTP 120/110D	GTP 120/110	1.10	1.5	8			26	25	24	23	22	21	20	18							
GTP 120/150D	GTP 120/150	1.5	2.0	8			31	30	29	28	27	25	24	21							
GTP 120/185D	GTP 120/185	1.85	2.5	8			37	35.5	34	33	32	30	28	25							
GTP 200/110D	GTP 200/110	1.10	1.5	8					21	20.5	20	19	18	17	16	15	13	12	9		
GTP 200/150D	GTP 200/150	1.50	2.0	8					25.5	25	24	23	22	21.5	21	20	18	17	15		
GTP 200/185D	GTP 200/185	1.85	2.5	8					28.5	28	27.5	27	26.5	26	25	24	23	22	21		

Water test temperature: 20°C. Performance limits: ISO2548 specifications for standard class C pumps
 Note: 230V/50Hz, 240V/50Hz, 110V/60Hz, 127V/60Hz Model are available on request.

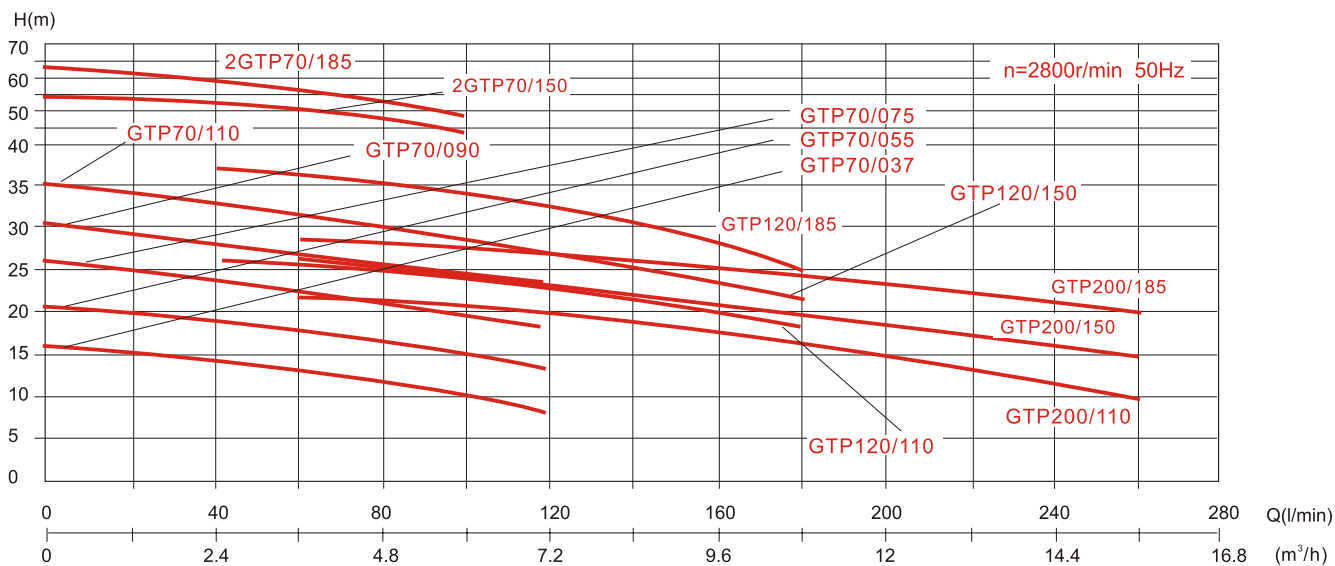


2GTP PART LIST

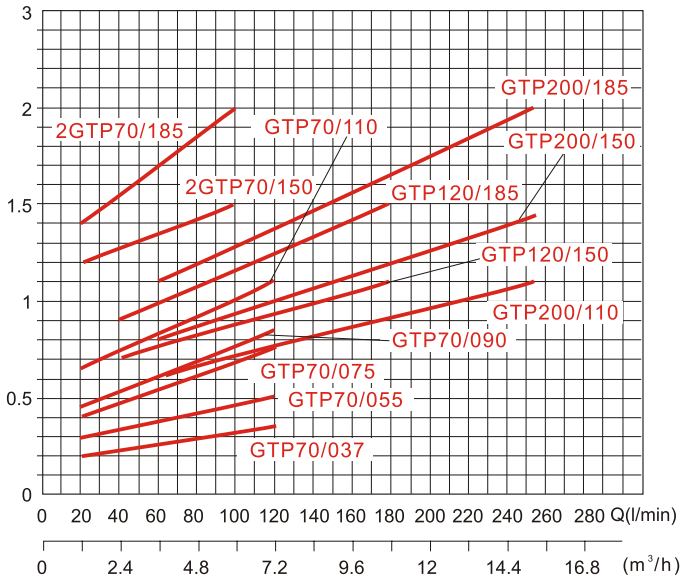
N o.	Part Name	N o.	Part Name	N o.	Part Name	N o.	Part Name	N o.	Part Name
1	Motor	6	O Ring	11	Ware Ring	16	Impeller Nut	21	"L" Washer
2	Key	7	Impeller II	12	Guide Plate Back Cover	17	Guidt Plate Front Cover	22	Priming/Drain Plug
3	Drop guard	8	Shaft sleeve	13	Guide Plate	18	Casing		
4	Back Cover	9	Position Ring	14	Impeller I	19	Bolt		
5	Mechanical Seal	10	O Ring	15	Spring Washer	20	O Ring		

PERFORMANCE CURVES

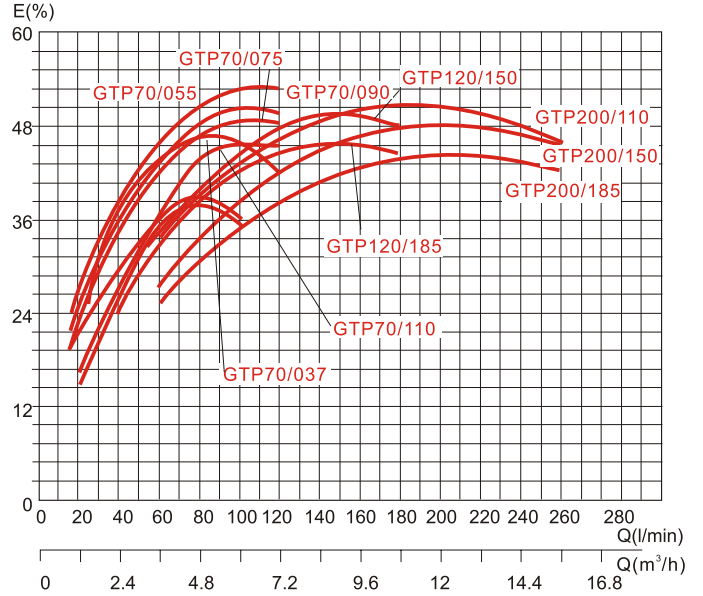
Head-flow curve



Power curve

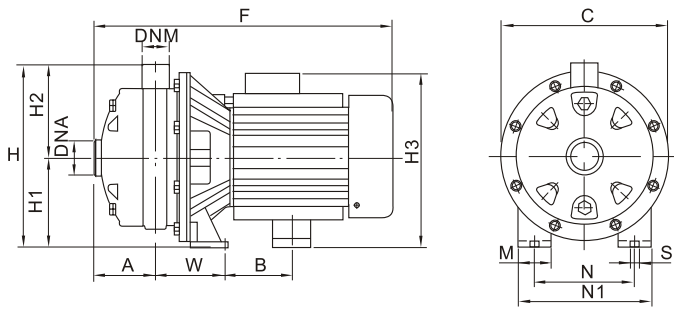


Efficiency curve

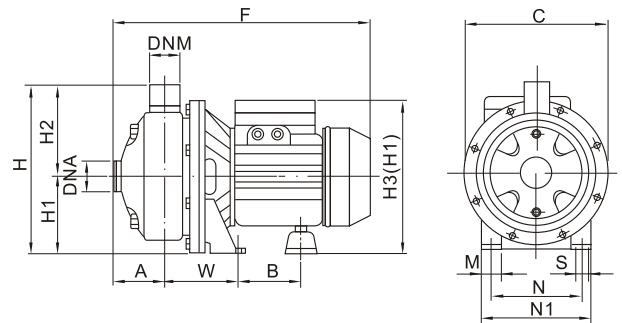


DIMENSION

Type 2GTP



Type GTP



DIMENSIONS

Model		Dimensions(mm)																Weight (kg)
Single phase 220V/50HZ	Three phase 380V/50HZ	A	C	F	H	H1	H2	*H3	*H4	M	N	N1	S	W	B	DNA	DNM	
2GTP 70/150D	2GTP 70/150	87	235	416	252	120	132	234	234	39	140	190	9	94	82	G1 1/4"	G1"	17.8
2GTP 70/185D	2GTP 70/185	87	235	416	252	120	132	234	234	39	140	190	9	94	82	G1 1/4"	G1"	19.6
GTP 70/037D	GTP 70/037	52	213	315	232	108	124	241	213	39	110	158	9	92	82	G1 1/4"	G1"	8.1
GTP 70/055D	GTP 70/055	52	213	315	232	108	124	241	213	39	110	158	9	92	82	G1 1/4"	G1"	8.8
GTP 70/075D	GTP 70/075	52	213	315	232	108	124	241	213	39	110	158	9	92	82	G1 1/4"	G1"	10
GTP 70/090D	GTP 70/090	52	213	315	232	108	124	241	213	39	110	158	9	92	82	G1 1/4"	G1"	11
GTP 70/110D	GTP 70/110	52	235	386	252	120	132	234	234	39	140	190	9	94	82	G1 1/4"	G1"	14.6
GTP 120/110D	GTP 120/110	52	213	370	232	108	124	224	224	39	140	190	9	92	82	G1 1/4"	G1"	11.6
GTP 120/150D	GTP 120/150	52	235	386	252	120	132	234	234	39	140	190	9	94	82	G1 1/4"	G1"	15.8
GTP 120/185D	GTP 120/185	52	235	386	252	120	132	234	234	39	140	190	9	94	82	G1 1/4"	G1"	17
GTP 200/110D	GTP 200/110	52	213	370	232	108	124	224	224	39	120	158	9	92	82	G1 1/2"	G1"	11.6
GTP 200/150D	GTP 200/150	52	213	370	232	108	124	224	224	39	120	158	9	92	82	G1 1/2"	G1"	15
GTP 200/185D	GTP 200/185	52	213	370	232	108	124	224	224	39	120	158	9	92	82	G1 1/2"	G1"	16

Remark H3 for single phase, H4 for three phase