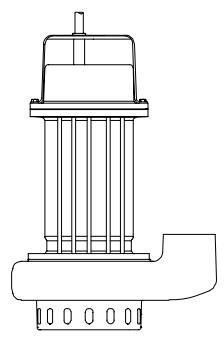
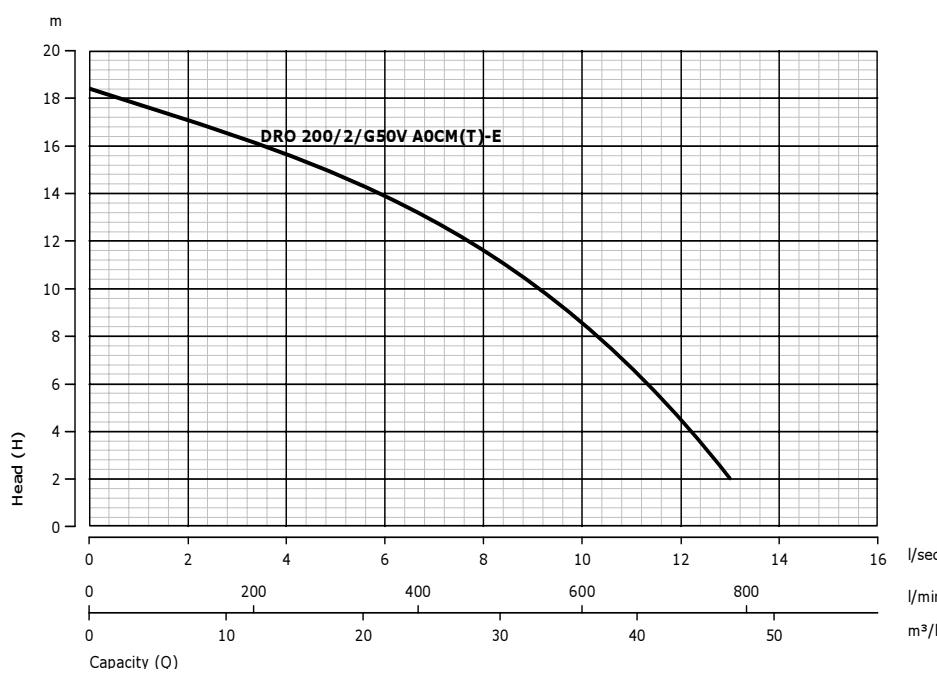



<h1>DRO 200/2/G50V A0CM-E</h1>	Hydraulic model: <b>"A"</b>	
 <p style="text-align: center;">% = Hydraulic Performance - P2 = Power Delivered</p>	<p><b>ACTUAL OUTLINE</b></p> <p><b>Hydraulic type:</b></p> <p>Multi-channel open high performance impeller*</p> <p><b>Power/ poles:</b></p> <p>1,5 kW - 2 Poles</p> <p><b>Outlet type:</b></p> <p>2" vertical gas threaded opening</p> <p><b>Explosion-proof:</b></p> <p>Pump in NOT ex-proof version</p> <p><b>Free passage of solid bodies:</b></p> <p>Strainer holes ( 10x20 mm)</p>	

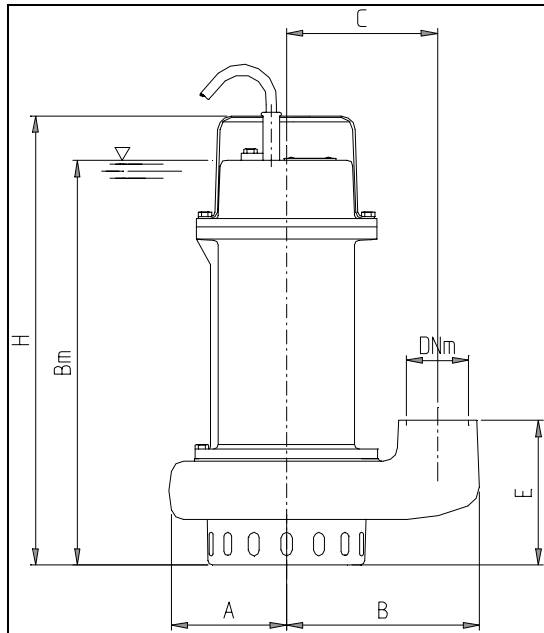
<b>ELECTRO-MECHANICAL UNIT</b>	Rated delivered power:	1,5 kW	Motor poles/revolutions:	2900 1/min - 2Poles	
	Rated absorbed power:	2,06 kW	Motor phases:	M - Single-phase	
	Rated absorbed current:	9,3 A	Service:	S1 submersible or w/sleeve	
	Starting current:	Not available	Motor protection:	IP 68	
	Starting torque:	Not available	Insulation class (ICL):	F	
	Rated Cos Ø:	0,96	Max. Starts per hour:	20	
	Rated motor performance:	73%	Standard cable type:	5 mt-H07RN-F 4G1	
	Detailed description of series:	Submersible pumps consisting of a EN-GJL-250 cast iron electromechanical unit intended for submersible operation, equipped with 2 conventionally installed mechanical seals. Oil filled motor. Separate hydraulic unit. Explosion-proof version not available.*			
	Standard mechanical seals	1 mechanical silicon carbide (Viton) seal and 1 mechanical graphite alumina (NBR) seal			
	Lifting:	With handle on motor cover			
Ball bearings:	Upper permanently lubricated ball bearing, lower oil-immersed ball bearing				
Winding type:	Induction motor with oil-filled winding and automatic overload protection				
Impregnation type:	Doubly impregnated humidity-resistant winding				
Direction of rotation:	Clockwise seen from top of electric pump				
Data provided above refers to hydraulic tests carried out at: 230 Volt 50 Hz					

<b>MATERIALS</b>	<b>Mechanical unit:</b>	EN-GJL-250 cast iron	<b>Hyd. Unit, impeller:</b>	EN-GJL-250 cast iron
	<b>Shaft:</b>	X6Cr13 (AISI416) steel	<b>Bolts and Screws:</b>	INOX A2 steel
	<b>Seals (O-Ring):</b>	NBR-SBR rubber	<b>Grinder cutter:</b>	Not applicable
	<b>**Cooling jacket:</b>	Not applicable	<b>Painting:</b>	Ecological epoxy vinyl
** Cooling jacket supplied upon request in series specified				

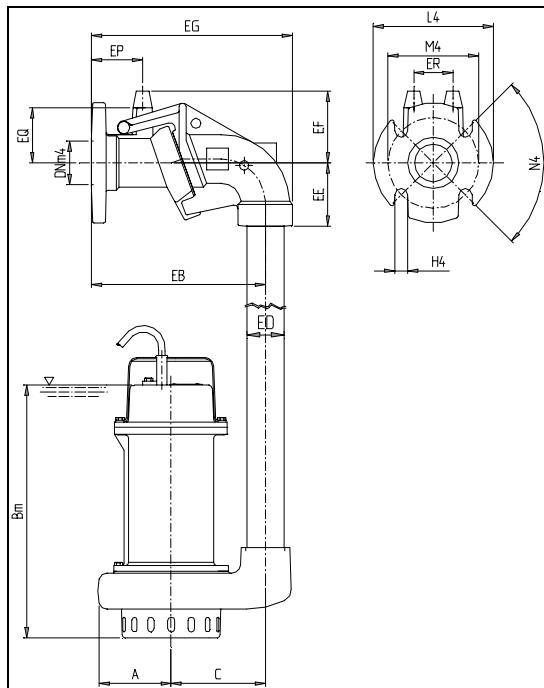
<b>LIMITS ON USE REFERENCE STANDARDS</b>	<b>Max. operating temp.:</b>	40 °C	<b>Max. sub. depth:</b>	20 m
	<b>Liquid PH:</b>	6 to 10	<b>Liquid density:</b>	1 kg/dm³
	<b>Viscosity of liquid:</b>	1 mm²/s	<b>Max. acoustic press.:</b>	< 70 dB dB
	<b>Reference standards:</b>			
	<ul style="list-style-type: none"> <li>• EN 292-1; EN 292-2; CEI EN 60529; ISO 9906; CEI EN 60034-1.</li> <li>• CEI EN 60204; UNI ISO 6009; UNI EN 1561-1563; UNI EN 10098.</li> <li>• Low voltage directive 73/23/CEE.</li> <li>• Procedures specified by Zenit S.p.a. Quality System, UNI EN ISO 9001 (ISO 9001) certified, DNV n. SQ 0660-IT certified.</li> <li>• Machines directive 89/392/CEE and successive amendments thereto (directives 91/368/CEE, 93/68/CEE), electromagnetic compatibility directive 89/336/CEE</li> </ul>			

<b>SYMBOLS</b>	 <p>Product complying with European standards in force</p>	<p>Company Quality System complying with UNI ISO norm</p>
----------------	---	---

<b>VARIANTS AVAILABLE</b>	<b>Electrical accessories</b>	
	<i>T</i>	Thermistor
	<i>TCST</i>	Thermistor, capacitor, starter box and overload protection
	<i>TCSGT</i>	Thermistor, capacitor, starter box, float and overload protection
	<i>TCSGLT</i>	Thermistor, capacitor, starter box, 0.5 m float and overload protection
	<b>Set of mechanical seals</b>	
	<i>SICAL</i>	1 mechanical silicon carbide (Viton) seal and 1 mechanical graphite alumina (NBR) seal
<i>2SIC</i>	2 mechanical silicon carbide (Viton) seals	
<b>Cooling system / mechanical seal flushing versions*</b>		
<i>N</i>	No sleeve and/or seal flushing	



A	B	Bm	C	DNm	DNm4	E
100	166	347	130	2	2	124
EB	ED	EE	EF	EG	EP	EQ
240	2	87	98.5	278	70.5	75.5
ER	H	H4	L4	M4		
54	385	18	165	125		



• These drawings do not represent actual product appearance. Refer to the outline on the previous page.

Dimensions 'mm' except than: DNm-inches DNm4-inches ED-inches	<b>Mass:</b> 21,5 Kg	<b>Possible installations:</b>	I1-I2-I3
---	----------------------	--------------------------------	----------

\*For more information see the descriptive sections